

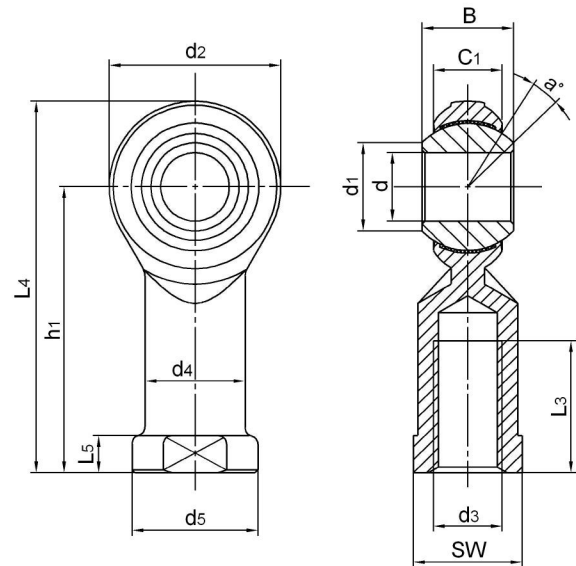
## SPHS..EC

Ball: 440C Stainless steel, heat treated, HRC 56min  
Precision ground, polished

Body: 304 Stainless steel

Race: PTFE composite

Sliding contact surfaces: Steel/PTFE composite



Bearing No.	Dimensions(mm)													Ball dia	a° mis. angle	Load ratings (KN)		weight ≈ Kg
	d <sub>H7</sub>	B	C <sub>1 max</sub>	d <sub>1</sub>	d <sub>2</sub>	d <sub>3-6H</sub>	h <sub>1</sub>	L <sub>3</sub>	L <sub>4</sub>	L <sub>5</sub>	d <sub>4</sub>	d <sub>5</sub>	SW			Dynamic	Static	
SPHS5EC	5	8	6	7.7	16	M5	27	11	35	4	9	11	9	11.11	13	3.3	6.2	0.016
SPHS6EC	6	9	6.75	8.9	18	M6	30	13	39	5	10	13	11	12.7	13	4.7	7.8	0.025
SPHS8EC	8	12	9	10.3	22	M8	36	16	47	5	12.5	16	14	15.87	14	7.7	13.2	0.043
SPHS10EC	10	14	10.5	12.9	26	M10	43	20	56	6.5	15	19	17	19.05	13	10.4	17.3	0.072
SPHS12EC	12	16	12	15.4	30	M12	50	23	65	6.5	17.5	22	19	22.22	13	13.5	22.7	0.107
SPHS14EC	14	19	13.5	16.8	34	M14	57	27	74	8	20	25	22	25.4	16	17.2	28.2	0.160
SPHS16EC	16	21	15	19.3	38	M16	64	32	83	8	22	27	22	28.58	15	21	35.1	0.210
SPHS18EC	18	23	16.5	21.8	42	M18x1.5	71	35	92	10	25	31	27	31.75	15	25	43.2	0.295
SPHS20EC	20	25	18	24.3	46	M20x1.5	77	39	100	10	27.5	34	30	34.92	14	29.8	50.3	0.380

Can supply rod ends with different pitch or accuracy of thread.

For left-hand thread, suffix "L" is added to bearing numbers. eg.: SPHS20ECL M20 x 1.5L-6H: